

PR Series

Bulb type D56mm Vibration Proof Tower Light



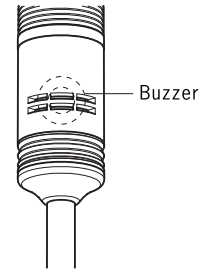
Suitable for displaying the operation status of machines tools, industrial machines, special purpose machines, automatic production line, robot, etc.



Vibration-absorption mechanism extends bulb life.

The unique vibration absorbing structure using new material reduces vibration and impact from all machines and devices, greatly extending bulb life

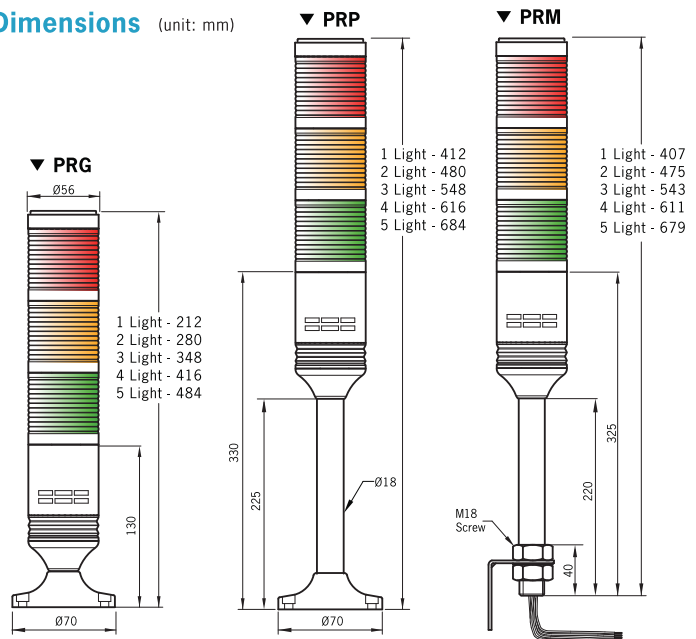
- 56 mm Diameter Light Modules
- Fixed Configurations from One to Five Stages
- Incandescent Bulb
- Various operating voltage
- Variety of Mounting Options
- IP 20 Ingress Protection
- Shock and Vibration Tolerant



Replacement Parts ▶ See page 39 for Replacement Bulbs product

Rated Voltage	Bulb	Rated Voltage	Bulb
12V AC/DC	12V 8W	110V AC	130V 8W
24V AC/DC	24V 8W	220V AC	240V 8W

Dimensions (unit: mm)



Ordering Information

PR P F - 3 0 2 - R Y G

① ② ③ ④ ⑤

1. Mounting

P	D18mm Aluminum pole + Plastic mount base
G	Plastic mount base
M	M18 Screw Aluminum pole with 2 Nut + L-angle bracket (Steel)

2. Light Style

	Steady light
F	Flashing light
B	Steady light + Buzzer
Z	Steady + Flashing + Buzzer

3. Number of Stacks

1	1 Light	2	2 Lights	3	3 Lights
4	3 Lights	5	5 Lights		

4. Power Supply

01	12V AC/DC*	10	110V AC
02	24V AC/DC*	20	220V AC

*Flashing type, and polarity attention

5. Lens Colors (Top to bottom)

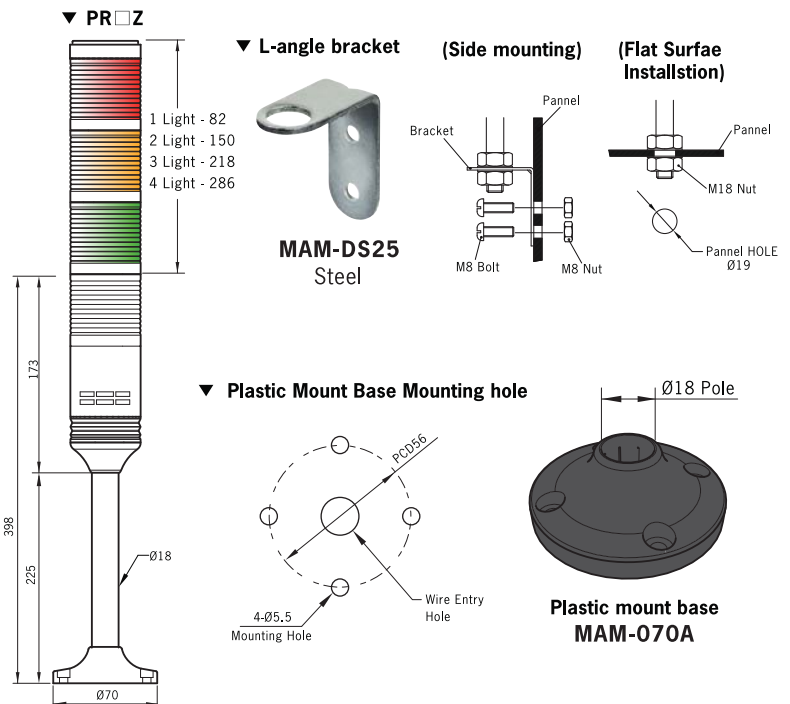
R	Red	B	Blue
Y	Yellow	C	Clear
G	Green		

Specifications

Operation/Function	Steady light, Flashing light, Buzzer
Power Supply	AC/DC 12V, AC/DC 24V, 110V AC, 220V AC
Tiers	May be ordered as 1, 2, 3, 4 or 5 tiers
Lens Color	Red, Yellow, Green, Blue, Clear
Sound Level	80±5dB at 1M, Buzzer Continuous sound (pi-----)
Flashing rate	80 times / minute
Ambient Temperature	-5°C ~ 40°C
Storage Temperature	-25°C ~ 70°C
Ambient Humidity	45~85% RH
Degree of Protection	IP20
Recommended Wire Size	AC 110/220V: VSF / 0.75mm ² (Power supply wire only) AC/DC 12/24V: 1007 UL / 22AWG

Current Draw

Power Supply	12V	24V	110V AC	220V AC
1 Light	0.8A	0.4A	0.08A	0.04A
2 Lights	1.7A	0.8A	0.17A	0.08A
3 Lights	2.5A	1.2A	0.25A	0.12A
4 Lights	3.3A	1.7A	0.33A	0.17A
5 Lights	4.2A	2.1A	0.40A	0.20A

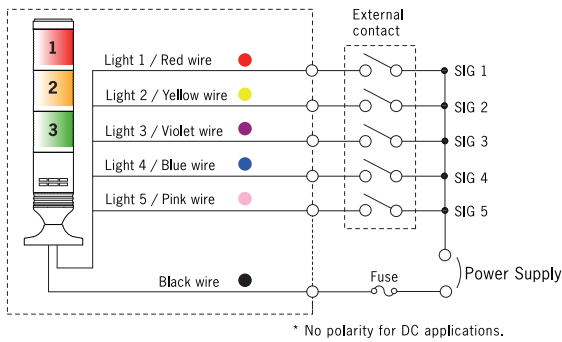


PR Series Wiring Diagram

▼ Steady Lights

PR□

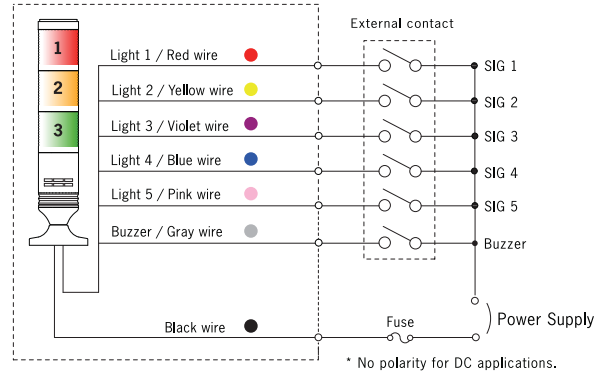
12V, 24V AC/DC
110V, 240V AC



▼ Steady Lights (with Buzzer)

PR□B

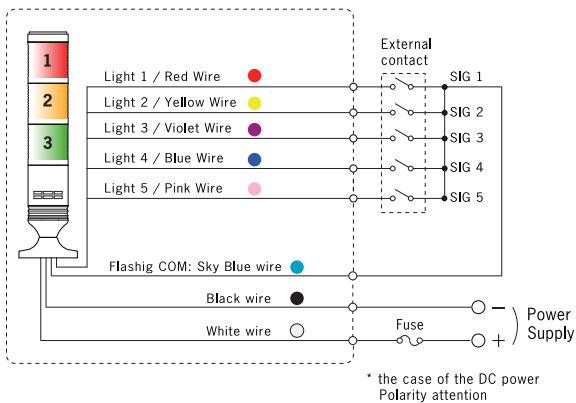
12V, 24V AC/DC
110V, 240V AC



▼ Flashing Lights

PR□F

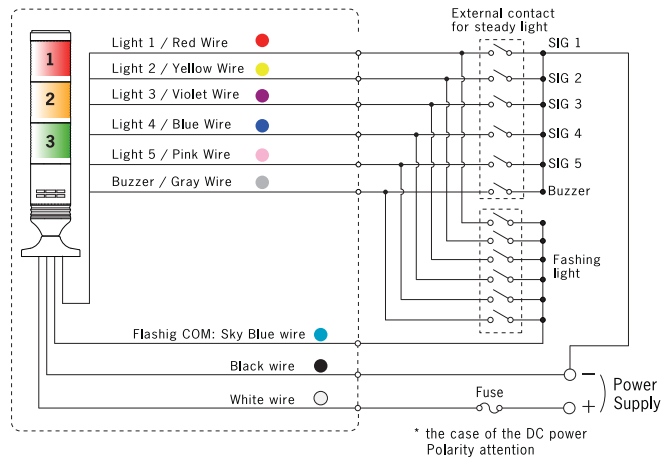
12V, 24V DC
110V, 240V AC



▼ Steady & Flashing Lights (with Buzzer)

PR□Z

12V, 24V DC
110V, 240V AC



45mm PS/PL Series - Bulb Replacement Method

Push to open the bulb housing fixed inside the mount groove using hands or tools.
This allows easily replacing the bulb.

